

cuplex kryos XT/HF for Socket 1156/1155/1151/1150

Operating and assembly manual

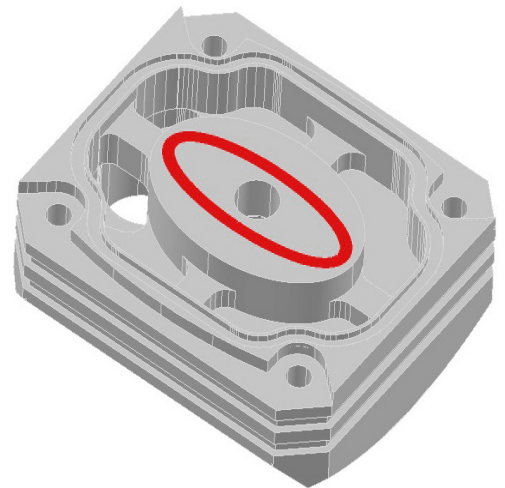
1. Preparation

Back up your data before modifying your hardware! Disconnect your PC from the mains power outlet. To prevent damaging the sensitive hardware components, make sure to ground your workplace and yourself to prevent electrostatic discharges.

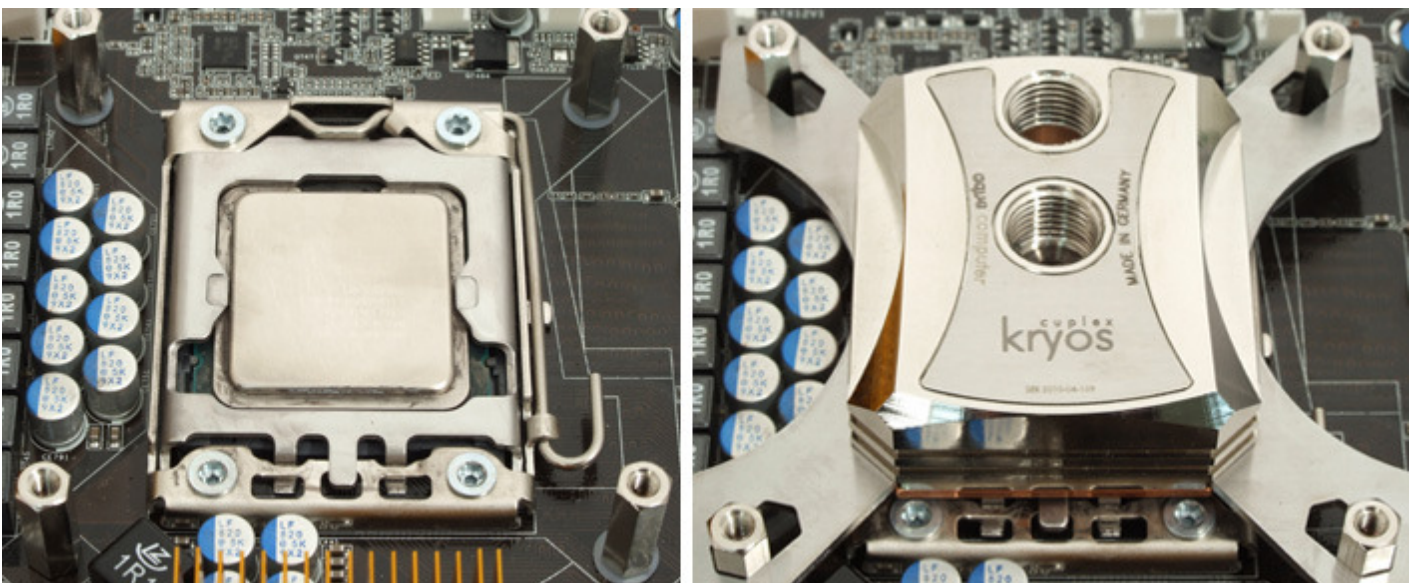
When upgrading an existing PC setup, firstly remove the installed heat sink and fan from the CPU. Refer to the instructions manual of the CPU cooler for details. Clean the CPU surface from thermal grease residues using benzine if necessary. Apply a thin layer of the thermal grease supplied with the cuplex kryos to the CPU, preferably using a plastic spatula or a razor blade. The CPU should now be covered by a thin and homogeneous layer of thermal grease. Remove excessive amounts of thermal grease and make sure that no other components are smeared with thermal grease.

2. Optional: Adjusting the initial load of the copper head

Information: The initial load of the copper head is induced by a rubber gasket inside the cuplex kryos. Upon delivery, a rubber gasket is installed inside the cuplex kryos that provided the best cooling performance during development testing at Aqua Computer. However, due to considerable production deviance in the heat spreaders of different CPUs, another rubber gasket is provided with the cuplex kryos. By replacing the installed rubber gasket with this gasket, the initial load is increased. Normally, you should not replace the installed rubber gasket! Due to the increased initial load, the copper head may become permanently deformed and the full cooling capacity may not be restored after reinstalling the original rubber gasket!



3. Orientation of the cuplex kryos relative to the CPU

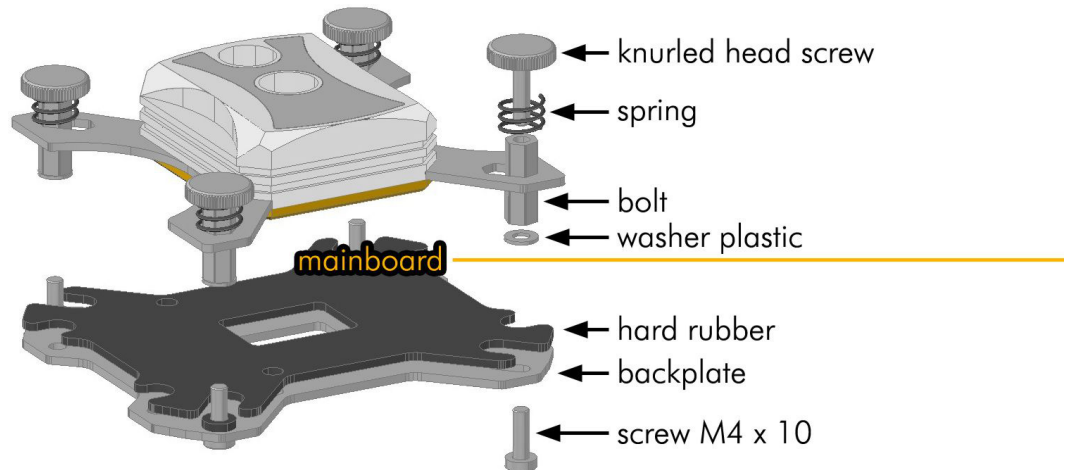


The internal design of the cuplex kryos is not symmetrical, most current CPUs are also not symmetrical (below the heat spreader cap). Therefore the cuplex kryos should be aligned to the CPU socket as shown in the figure.

4 Installation of cuplex kryos XT and cuplex kryos HF onto Socket 1156/1155/1151/1150

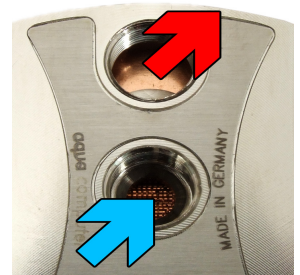
Initially, attach the back plate to the motherboard. Screw one of the M4x10 mm screws into each of the four treads of the back plate that align to the retention holes of the motherboard. Place the rubber mat onto the back plate and slide all four screws through the mounting holes of your motherboard. Now slide one of the white plastic washers supplied with the cuplex kryos onto each screw protruding from the motherboard and then screw one of the metal bolts onto each screw.

Orientate the bolts to suit the apertures in the cuplex kryos. To do so, you might need to loosen the bolts a bit. Slide the cuplex kryos onto the bolts and carefully lower it onto the thermal grease covered CPU. Apply one of the four supplied springs to each bolt and secure each spring using one of the knurled head screws (only one or two revolutions). Alternately fasten each screw a fraction of a revolution until all four screws are fully fastened.



5. Integration into a water cooling system and flow direction

Integrate the cuplex kryos into a water cooling system of sufficient performance. For best cooling performance, the coolant must be supplied through the central fitting. Reversed flow direction significantly decreases the performance of the cuplex kryos. Make sure not to connect any water cooling components in parallel but only consecutively. A detailed instruction on building a water cooling system and plug&cool connectors as well can be found on our website www.aqua-computer.de – please check the section support/download.



6. Initial operation and approved coolants

Put the water cooling system into operation, but do not connect any other PC components to the mains supply! Check the cuplex kryos as well as the fittings for leakages and do not put your PC into operation unless you can definitively eliminate the possibility of coolant leaking from the system! If any component has been in contact with coolant, do not put it into operation before it is completely dry again! For operating the PC, the cuplex kryos must be correctly mounted and be connected to a water cooling system featuring adequate cooling performance! For corrosion inhibition, "Double Protect Ultra" must be used as coolant!

ATTENTION:

Disregarding the instructions may lead to severe damages! Aqua Computer GmbH & Co. KG cannot be held liable for damages or injuries resulting from improper installation or use of the product!

Thank you for choosing an Aqua Computer product!